

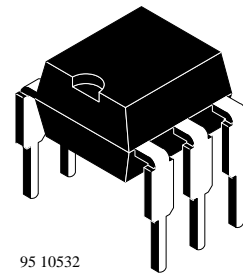
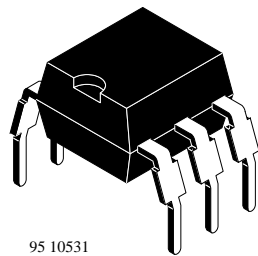
Optocoupler with Phototransistor Output

Order Nos. and Classification table is on sheet 2.

Description

The TCDT1120 Series consist of a phototransistor optically coupled to a gallium arsenide infrared emitting diode in a 6 lead plastic dual inline packages.

The elements are mounted on one leadframe in coplanar technique, providing a fixed distance between input and output for highest safety requirements.



Applications

Circuits for safe protective separation against electrical shock according to safety class II. (reinforced isolation):

- for application class I - IV at main voltage ≤ 300 V;
- for application class I - III at main voltage ≤ 600 V according to VDE 0884, table 2, suitable for:

Switch mode power supplies, computer peripheral interface, microprocessor system interface, line receiver



0884

These couplers perform safety functions according to following equipment standards

- **VDE 0884/08.87**
Optocoupler providing protective separation
- **VDE 0804**
Telecommunication apparatus and data processing
- **VDE 0805/IEC 950/EN 60950**
Office machines (applied for reinforced isolation for main voltages ≤ 400 V_{RMS})
- **VDE 0860/IEC 65**
Safety for mains operated electronic and related apparatus for household

Features

According to VDE 0884

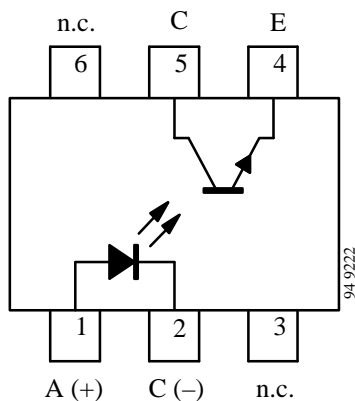
- Rated impulse voltage (transient overvoltage)
 $V_{IOTM} = 6 \text{ kV peak}$
- Isolation test voltage (partial discharge test voltage)
 $V_{pd} = 1.6 \text{ kV}$
- Rated isolation voltage (RMS includes DC)
 $V_{IOWM} = 600 \text{ V}_{RMS} (848 \text{ V peak})$
- Rated recurring peak voltage (repetitive)
 $V_{IORM} = 600 \text{ V}_{RMS}$
- Creeping current resistance according to VDE 0303/IEC 112
Comparative Tracking Index: **CTI** = 275
- Thickness through insulation $\geq 0.75 \text{ mm}$
- Further approvals:
BS 415, BS 7002, SETI: IEC 950,
UL 1577: File No: E 76222
- Base not connected
- CTR offered in 4 groups
- Isolation materials according to UL94-VO
- Pollution degree 2 (DIN/VDE 0110 resp. IEC 664)
- Climatic classification
55/100/21 (IEC 68 part 1)
- Special construction:
therefore extra low coupling capacity typical 0.3 pF,
high **Common Mode Rejection**
- Low temperature coefficient of CTR

Order Schematic

Part Numbers	CTR-Ranking
TCDT1120/ TCDT1120G	> 40%
TCDT1122/ TCDT1122G	63 to 125%
TCDT1123/ TCDT1123G	100 to 200%
TCDT1124/ TCDT1124G	160 to 320%

Suffix: G = Leadform 10.16 mm

Pin Connection



Absolute Maximum Ratings

Input (Emitter)

Parameters	Test Conditions	Symbol	Value	Unit
Reverse voltage		V_R	5	V
Forward current		I_F	60	mA
Forward surge current	$t_p \leq 10 \mu s$	I_{FSM}	3	A
Power dissipation	$T_{amb} \leq 25^\circ C$	P_{tot}	100	mW
Junction temperature		T_j	125	$^\circ C$

Output (Detector)

Parameters	Test Conditions	Symbol	Value	Unit
Collector base voltage		V_{CBO}	90	V
Collector emitter voltage		V_{CEO}	90	V
Emitter collector voltage		V_{ECO}	7	V
Collector current		I_C	50	mA
Collector peak current	$t_p/T = 0.5, t_p \leq 10 ms$	I_{CM}	100	mA
Power dissipation	$T_{amb} \leq 25^\circ C$	P_{tot}	150	mW
Junction temperature		T_j	125	$^\circ C$

Coupler

Parameters	Test Conditions	Symbol	Value	Unit
AC isolation test voltage (RMS)		V_{IO}	3.75	kV
Total power dissipation	$T_{amb} \leq 25^\circ C$	P_{tot}	250	mW
Ambient temperature range		T_{amb}	-55 to +100	$^\circ C$
Storage temperature range		T_{stg}	-55 to +125	$^\circ C$
Soldering temperature	2 mm from case, $t \leq 10 s$	T_{sd}	260	$^\circ C$

TCDT1120(G) Series

Maximum Safety Ratings ¹⁾ (according to VDE 0884)

Input (Emitter)

Parameters	Test Conditions	Symbol	Value	Unit
Forward current		I_{si}	130	mA

Output (Detector)

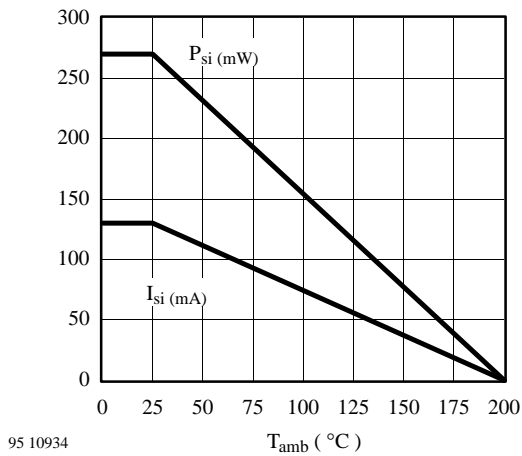
Parameters	Test Conditions	Symbol	Value	Unit
Power dissipation	$T_{amb} \leq 25^{\circ}C$	P_{si}	265	mW

Coupler

Parameters	Test Conditions	Symbol	Value	Unit
Rated impulse voltage		V_{IOTM}	6	kV
Safety temperature		T_{si}	150	$^{\circ}C$

- ¹⁾ This device is used for protective separation against electrical shock only within the maximum safety ratings. This must be ensured by protective circuits in the applications.

Derating Diagram



95 10934

Electrical Characteristics $T_{amb} = 25^{\circ}\text{C}$

Input (Emitter)

Parameters	Test Conditions	Symbol	Min.	Typ.	Max.	Unit
Forward voltage	$I_F = 50 \text{ mA}$	V_F		1.25	1.6	V
Breakdown voltage	$I_R = 100 \mu\text{A}$	$V_{(BR)}$	5			V
Junction capacitance	$V_R = 0, f = 1 \text{ MHz}$	C_j		50		pF

Output (Detector)

Parameters	Test Conditions	Symbol	Min.	Typ.	Max.	Unit
Collector base breakdown voltage	$I_C = 100 \mu\text{A}$	$V_{(BR)CBO}$	90			V
Collector emitter breakdown voltage	$I_C = 1 \text{ mA}$	$V_{(BR)CEO}$	90			V
Emitter collector breakdown voltage	$I_E = 100 \mu\text{A}$	$V_{(BR)ECO}$	7			V
Collector emitter cut-off current	$V_{CE} = 20 \text{ V}, I_f = 0$	I_{CEO}			150	nA

Coupler

Parameters	Test Conditions	Type	Symbol	Min.	Typ.	Max.	Unit
AC isolation test voltage (RMS)	$f = 50 \text{ Hz}, t = 1 \text{ s}$		$V_{IO}^{2)}$	3.75			kV
Collector/emitter saturation voltage	$I_F = 10 \text{ mA}, I_C = 1 \text{ mA}$		V_{CEsat}			0.3	V
Cut-off frequency	$V_{CE} = 5 \text{ V}, I_F = 10 \text{ mA}, R_L = 100 \Omega$		f_c		110		kHz
Coupling capacitance	$f = 1 \text{ MHz}$		C_k		0.3		pF
I_C/I_F	$V_{CE} = 5 \text{ V}, I_F = 1 \text{ mA}$	TCDT1120(G)	CTR	0.10			
		TCDT1122(G)	CTR	0.15			
		TCDT1123(G)	CTR	0.30			
		TCDT1124(G)	CTR	0.60			
I_C/I_F	$V_{CE} = 5 \text{ V}, I_F = 10 \text{ mA}$	TCDT1120(G)	CTR	0.40			
		TCDT1122(G)	CTR	0.63		1.25	
		TCDT1123(G)	CTR	1		2.00	
		TCDT1124(G)	CTR	1.60		3.20	

2) related to standard climate 23/50 DIN 50014

Switching Characteristics (Typical Values)

$V_S = 5\text{ V}$

Type	$R_L = 100\text{ k}\Omega$, see figure 1							$R_L = 1\text{ k}\Omega$, see fig. 2		
	$t_d[\mu\text{s}]$	$t_r[\mu\text{s}]$	$t_{on}[\mu\text{s}]$	$t_s[\mu\text{s}]$	$t_f[\mu\text{s}]$	$t_{off}[\mu\text{s}]$	$I_C[\text{mA}]$	$t_{on}[\mu\text{s}]$	$t_{off}[\mu\text{s}]$	$I_F[\text{mA}]$
TCDT1120(G)	2.5	3.0	5.5	0.3	3.7	4.0	10	16.5	22.5	10
TCDT1122(G)	2.5	3.0	5.5	0.3	3.7	4.0	10	16.5	22.5	10
TCDT1123(G)	2.8	4.2	7.0	0.3	4.7	5.0	10	21	37.5	10
TCDT1124(G)	2.0	4.0	6.0	0.3	4.7	5.0	10	20	50	10

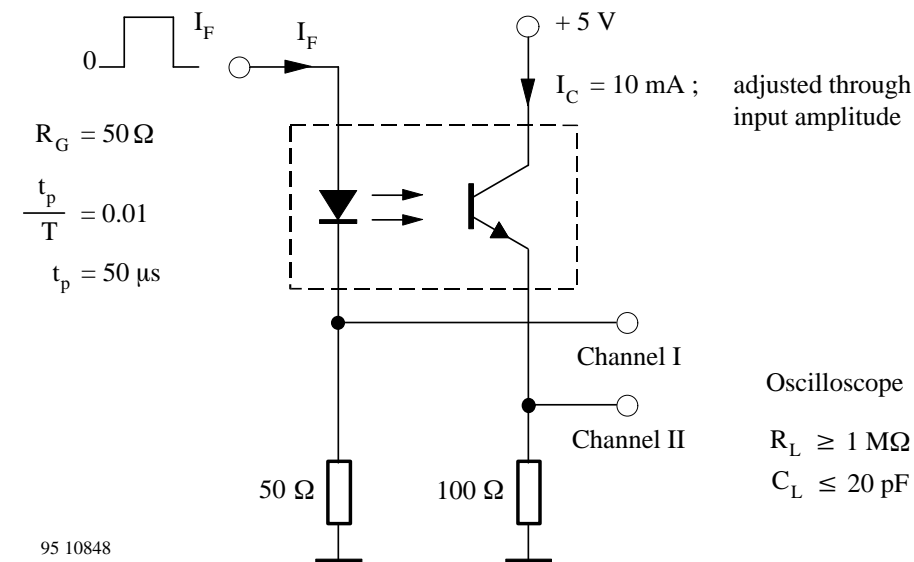


Figure 1. Test circuit, non-saturated operation

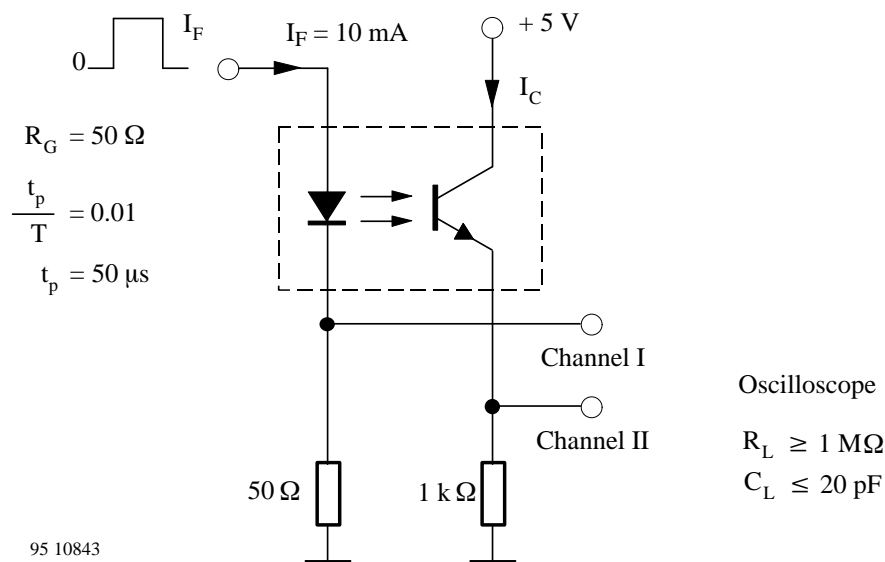


Figure 2. Test circuit, saturated operation

Insulation Rated Parameters (according to VDE 0884)

Parameters		Test Conditions	Symbol	Min.	Typ.	Max.	Unit
Partial discharge test voltage	Routine test	100%, $t_{\text{test}} = 1 \text{ s}$	V_{pd}	1.6			kV
	Lot test (sample test)	$t_{\text{Tr}} = 10 \text{ s}$, $t_{\text{test}} = 60 \text{ s}$ see figure 3	V_{IOPTM}	6			kV
			V_{pd}	1.3			kV
Insulation resistance		$V_{\text{IO}} = 500 \text{ V}$	R_{IO}	10^{12}			Ω
		$V_{\text{IO}} = 500 \text{ V}$, $T_{\text{amb}} \leq 100^\circ\text{C}$	R_{IO}	10^{11}			Ω
		$V_{\text{IO}} = 500 \text{ V}$, $T_{\text{amb}} \leq 150^\circ\text{C}$ (only construction test)	R_{IO}	10^9			Ω

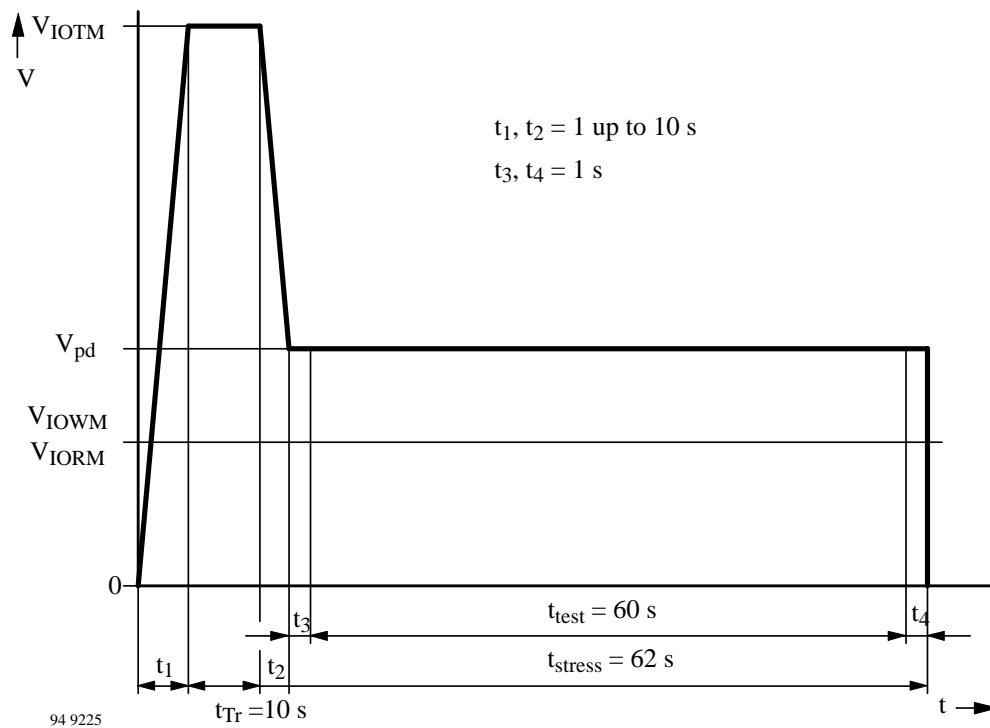


Figure 3. Test pulse diagram for sample test according to DIN VDE 0884

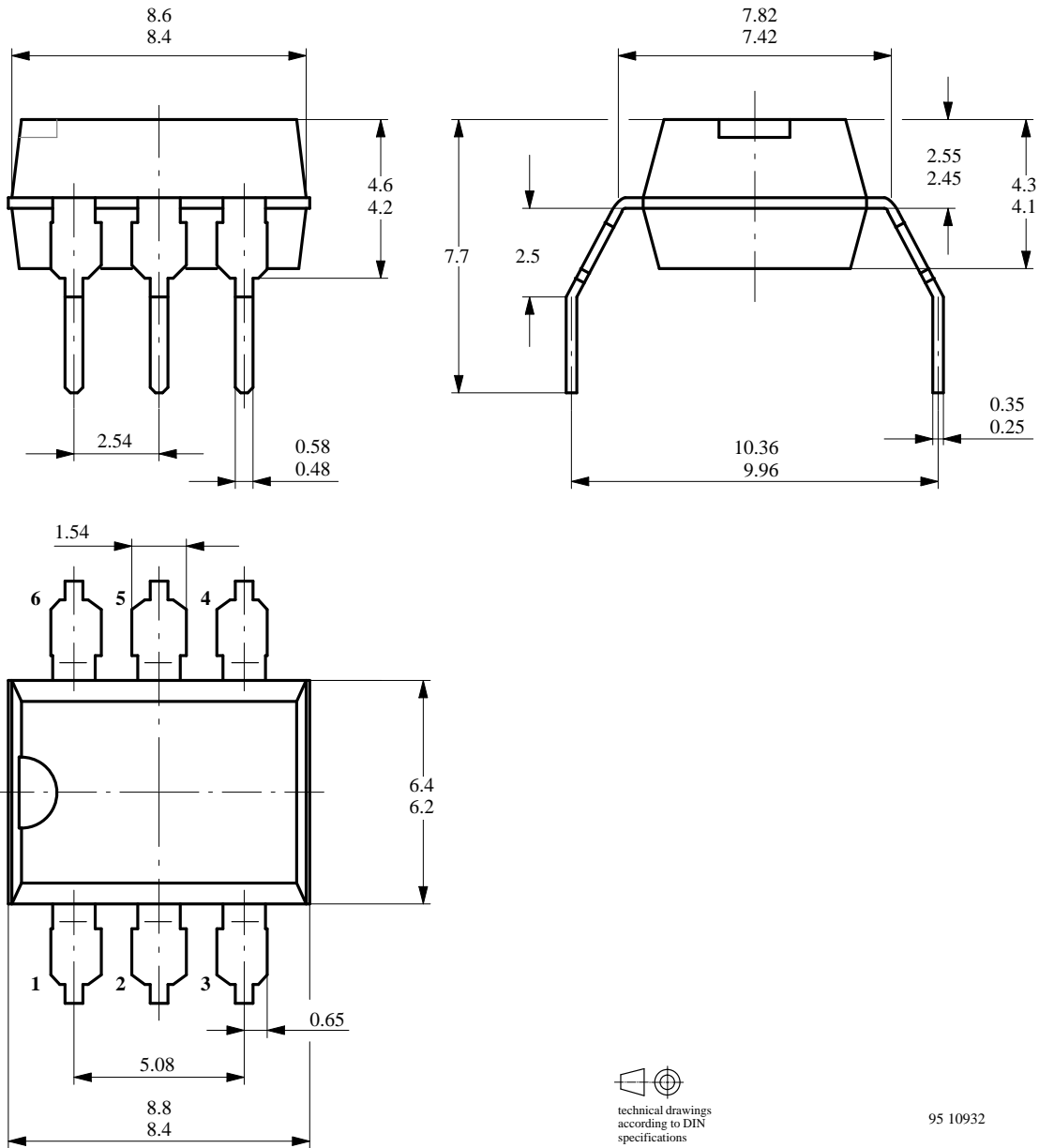
TCDT1120(G) Series

TEMIC

TELEFUNKEN Semiconductors

Dimensions in mm

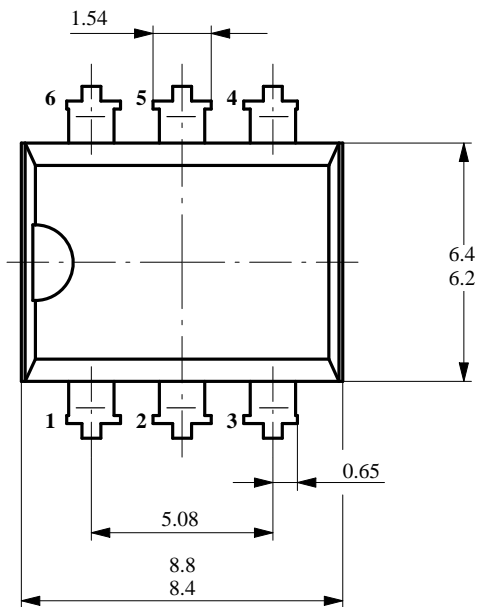
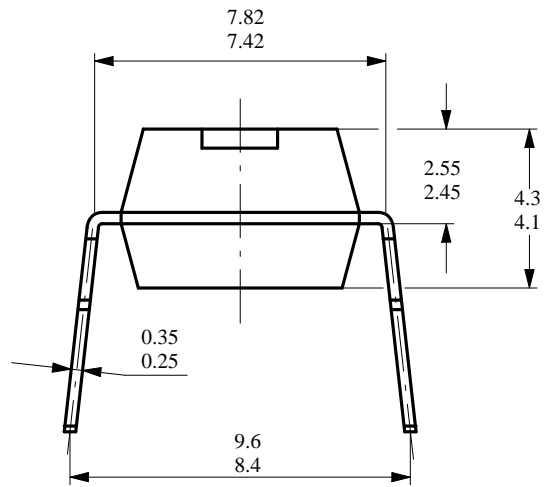
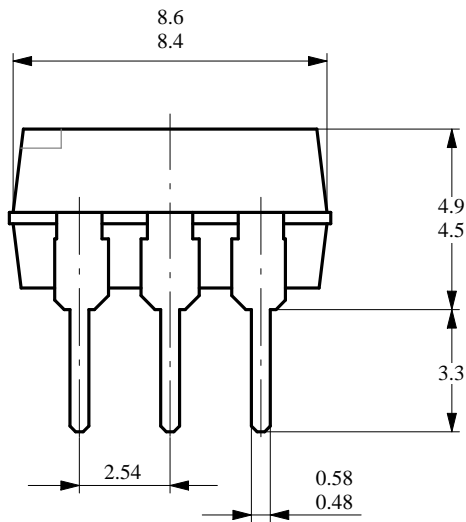
Leadform 10.16. mm (G-type)



technical drawings
according to DIN
specifications

95 10932

Dimensions in mm




technical drawings
according to DIN
specifications

95 10931

Ozone Depleting Substances Policy Statement

It is the policy of **TEMIC TELEFUNKEN microelectronic GmbH** to

1. Meet all present and future national and international statutory requirements.
2. Regularly and continuously improve the performance of our products, processes, distribution and operating systems with respect to their impact on the health and safety of our employees and the public, as well as their impact on the environment.

It is particular concern to control or eliminate releases of those substances into the atmosphere which are known as ozone depleting substances (ODSs).

The Montreal Protocol (1987) and its London Amendments (1990) intend to severely restrict the use of ODSs and forbid their use within the next ten years. Various national and international initiatives are pressing for an earlier ban on these substances.

TEMIC TELEFUNKEN microelectronic GmbH semiconductor division has been able to use its policy of continuous improvements to eliminate the use of ODSs listed in the following documents.

1. Annex A, B and list of transitional substances of the Montreal Protocol and the London Amendments respectively
2. Class I and II ozone depleting substances in the Clean Air Act Amendments of 1990 by the Environmental Protection Agency (EPA) in the USA
3. Council Decision 88/540/EEC and 91/690/EEC Annex A, B and C (transitional substances) respectively.

TEMIC can certify that our semiconductors are not manufactured with ozone depleting substances and do not contain such substances.

We reserve the right to make changes to improve technical design and may do so without further notice.

Parameters can vary in different applications. All operating parameters must be validated for each customer application by the customer. Should the buyer use TEMIC products for any unintended or unauthorized application, the buyer shall indemnify TEMIC against all claims, costs, damages, and expenses, arising out of, directly or indirectly, any claim of personal damage, injury or death associated with such unintended or unauthorized use.

TEMIC TELEFUNKEN microelectronic GmbH, P.O.B. 3535, D-74025 Heilbronn, Germany
Telephone: 49 (0)7131 67 2831, Fax number: 49 (0)7131 67 2423